

## FS500EK1T系列霍尔可拆电流传感器

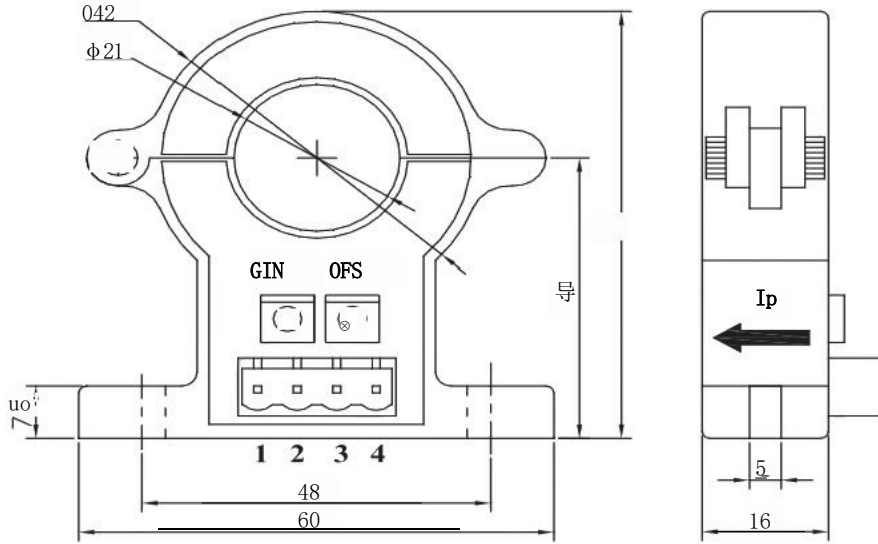
应用霍尔效应开环原理的电流传感器，能在电隔离条件下测量直流、交流、脉冲以及各种不规则波形的电流。  
The current sensor using the Hall effect open-loop principle can measure DC, AC, pulse and various irregular waveforms of current under the condition of electrical isolation.



电参数/Electrical characteristics								
	型号	FS050EK1T	FS100EK1T	FS200EK1T	FS300EK1T	FS500EK1T	FS600EK1T	
I <sub>pN</sub>	原边额定输入电流 Rated input current on primary side	50	100	200	300	500	600	A
I <sub>p</sub>	原边电流测量范围 @+5V/2.5±2V Primary current measurement range	0~60	0~120	0~240	0~360	0~600	0~720	A
I <sub>our</sub>	副边额定输出电压 Rated output voltage of secondary side	2.5±2						V
V <sub>c</sub>	电源电压 Supply voltage	+5						V
I <sub>c</sub>	电流消耗 Current consumption	<25						mA
V <sub>a</sub>	绝缘电压 Insulation voltage	在原边与副边电路之间2.5kV有效值/50Hz/1分钟						
e <sub>L</sub>	线性度 Linearity	±1						%FS
I <sub>o</sub>	零点失调电压 Zero offset voltage	T=25℃	<±25					mV
I <sub>om</sub>	磁失调电压 Magnetic offset voltage	I <sub>w</sub> →0	<10					mV
I <sub>or</sub>	失调电压温漂 Offset voltage temperature drift	I <sub>p</sub> =0 TA=-25~+85℃	<0.5					mV/℃
T <sub>r</sub>	响应时间 Response time	≤7						μs
f	频带宽度(-3dB) Band width (-3dB)	DC~20						kHz
T <sub>A</sub>	工作环境温度 Operating ambient temperature	-40~+100						℃
T <sub>s</sub>	贮存环境温度 Storage ambient temperature	-40~+125						℃
g	重量 Weight	68						g
	标准 Standard	SJ 20790-2000;JB/T 7490-2007						

外形尺寸(mm)/Dimensions of drawing(mm)

外部接线图/External connection diagram



引脚说明: 1, +5V 2, 0V(电源地) 3, Vour 4, 0V(电源地) OFS, 零点调节 GIN, 幅度调节

Pin description: 1, +5V 2, 0V(power source) 3, Vour 4, 0V(power source) OFS, zero adjustment GIN, amplitude adjustment

使用说明/Instructions

- 错误的接线可能导致传感器损坏。传感器通电后，当被测电流从传感器箭头方向穿过，即可在输出端测得同相电压值。  
Incorrect wiring may cause damage to the sensor. After the sensor is powered on, when the measured current passes through the arrow direction of the sensor, the in-phase voltage value can be measured at the output end.
- 传感器的输出幅度可根据用户需求进行适当的调节。  
The output amplitude of the sensor can be adjusted according to the user's needs.
- 可按用户需求定制不同额定输入电流和输出电压的传感器。  
Sensors with different rated input current and output voltage can be customized according to user requirements.